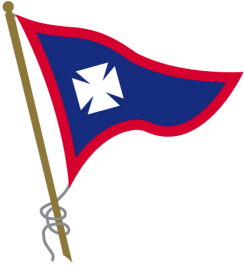


Heineken High Performance Dinghy Open



and
EFG Bank Viper Pan American Championships
Organizing Authority: American Yacht Club
Rye, New York
October 9 - 10, 2010



SAILING INSTRUCTIONS

1. RULES

The regatta will be governed by:

- i. The Racing Rules of Sailing (RRS) including the prescriptions of US Sailing
- ii. The Class Rules applicable to each class entered and following rule changes:
"Rule 50.2 will not apply to boats racing with asymmetric spinnakers. These boats shall comply with applicable Class Rule/s for spinnaker poles/bow sprits"
- iii. The Notice Of Race
- iv. The Sailing Instructions (SIs) and any amendments or appendices thereto.

2. ENTRIES

- i. The regatta is open to sailing classes with a D-PN of 86.6 or less (see Portsmouth Number tables at http://offshore.ussailing.org/Portsmouth_Yardstick/Tables_2010.htm) and other invited classes.
- ii. The following classes have been invited and/or confirmed participation: Flying Dutchman, International 505, Fireball, International 470, International 14, 49er, International Canoe, RS-K6, Viper 640, A-Cat, F-18, Contender, Solo Swift, Musto Skiff, International Moth and International Tempest. Six entries are required to establish a class. There will be a PY Fleet/s for classes unable to establish a class.
- iii. Eligible crews shall enter by completing registration and payment of entry fee as prescribed in the Notice of Race for the regatta.

3. SPONSOR LOGOS

- i. Sponsor logos will be given out at registration.
- ii. Sponsor logos may be applied to the hull or foredeck with the front edge not more than 12" from the bow.
- iii. Each competitor is responsible for applying the logo to the bow of their boat and ensuring it remains attached for the duration of the regatta. Take care and time to apply the logo. The hull surface must be clean and dry before the logo is applied.

4. NOTICES TO COMPETITORS

Notices to competitors will be posted on the official notice board located on the front porch of the main clubhouse.

5. CHANGES TO SAILING INSTRUCTIONS

Any change to the SI's will be posted before 0800 on the day it will take effect, except any change in the schedule of races will be posted by 1900 on the day before it will take effect.

6. SIGNALS MADE ASHORE

- i. Signals made ashore will be displayed from the main club flagpole located on the front lawn of the Main Clubhouse.
- ii. If a postponement is signaled ashore, the first warning signal will be made not less than 1 hour after the AP is lowered.





7. RADIO COMMUNICATIONS - EMERGENCY ONLY

- i. Each boat may carry a VHF radio capable of transmitting and receiving on channel 16, 69 & 78a. This changes class rules which may prohibit use of VHF radio.
- ii. Except in an emergency, a boat shall neither make radio transmissions while racing nor receive radio communication not available to all boats. This restriction also applies to any form of mobile communication device.
- iii. Competitors may contact the race committee by radio to announce they are leaving the race course, as described in SI 13.iii.
- iv. No race information will be transmitted by radio.

8. SCHEDULE OF RACES

One or more completed races shall constitute a series.

Saturday October 9, 2010

- 0915 Registration closes
- 0930 Competitor meeting – Main Clubhouse Terrace
- 1100 First warning signal, subsequent races back-to-back

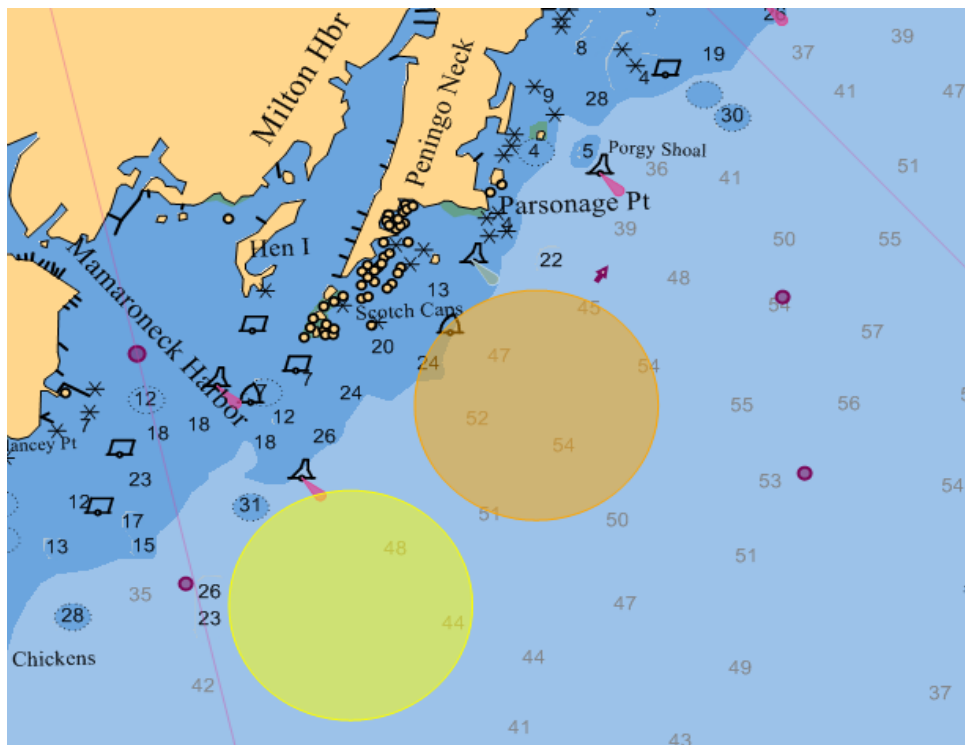
Sunday October 10, 2010

- 1000 First warning signal, subsequent races back-to-back
- No warning signal will be made after 1500.

It is the intention of the Race Committee to sail as many races as conditions and time constraints will allow.

9. RACE CIRCLES

- i. There will be two race circles off Milton Point, Rye, New York. The Orange Circle will be located approximately 1.0nm east of Milton Point. The Yellow Circle will be located approximately 1.0nm South of Milton Point. See below.
- ii. The race committee signal boat for Orange Area will be “Scotch Caps” (blue hull). The signal boat for Yellow Area will be “On the Line” (white hull).





10. CLASS FLAGS

Class flags will be numeral pennants as shown below. Class insignia flags may be substituted for the numeral pennants.

YELLOW CIRCLE			ORANGE CIRCLE			
1	2	3	4	5	6	7
Viper 640	RS-K6	505	F18	International Moth	Fireball	Portsmouth Yardstick

11. COURSES

- i. The course for each race will be Windward-Leeward for a specified number of legs, or Gold Cup (6).
- ii. The race committee signal boat will display the magnetic bearing and range, in nautical miles, from the signal boat to the windward mark and the number of legs for each class. All turning marks, the start mark and finish mark/pin shall be left to port, except as changed by SI 11.iii.
- iii. The race committee may set a leeward gate in place of a leeward mark. If there is a leeward gate, boats shall pass through the gate from the direction of the previous mark before proceeding onto the next leg of the course.
- iv. If a windward offset mark is in position for a posted Gold Cup course it can be disregarded on the first offwind leg.
- v. If a leeward gate is in position for a posted Gold Cup course, the right-side mark of the gate (looking upwind) will not be considered a mark of the course and can be disregarded.
- vi. The leeward mark or gate is not a mark of the course for the final downwind leg.
- vii. Boats shall not pass through the start or finish lines unless starting or finishing. A boat infringing this rule may not correct the error by sailing back through the start/finish line and leaving the start/finish mark on the correct side. This changes RRS 28.1. The line between the signal boat and the start/finish mark shall be considered to be an *obstruction* for the purposes of RRS 19.

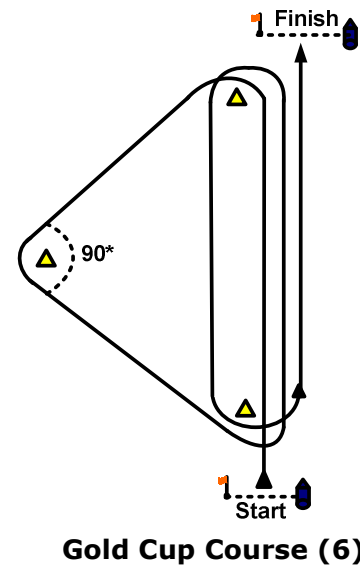
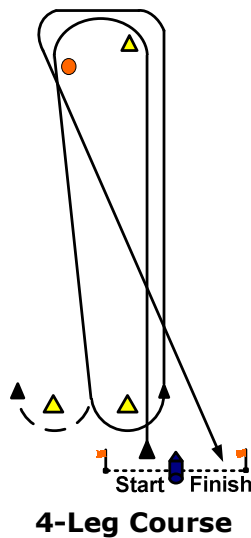
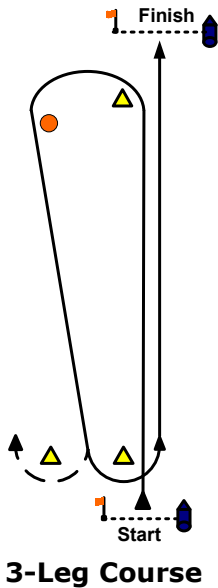




iii. Sample course board and configurations (labels will not be displayed):

Bearing	Range	Class	Legs
2	0	1	6
3	.7	2	4
0		3	4
		4	2

Fore Aft



12. MARKS

- i. Orange inflatable tetrahedrons will be used as turning marks on the Orange Circle. Start marks will be yellow inflatable tetrahedrons. Finish marks will be either a yellow tetrahedron or a staff flying an orange flag.
- ii. Yellow inflatable tetrahedrons will be used as turning marks on the Yellow Circle. Start marks will be orange inflatable tetrahedrons. Finish marks will be either an orange tetrahedron or a staff flying an orange flag.
- iii. The offset mark at the windward mark will be a small orange/red buoy.

13. CHECK-IN AND RETIRING

- i. Upon registering each boat will assigned a Safety Tag number. Prior to departing from the American YC dock for the first race each day a representative from each boat shall take their assigned numbered tag from a board on the club patio. As soon as possible after racing each day the tag shall be returned to its numbered location on the board. This requirement only applies to boats sailing from American YC. Failure to comply may result in a score of DNC for the first race of that day without a hearing. This changes RRS 63.1.
- ii. Prior to the first warning signal for the first race each day, each boat shall sail by the stern of the Race Committee Signal boat on starboard tack and check-in.





- iii. Boats retiring for the day, withdrawing from a race or not intending to start a race must notify the race committee or a safety boat before leaving the course, or when that is impossible, the club front desk immediately upon arriving ashore.

14. THE START

- i. Races for International 505 Class shall be in accordance with Appendix A – Gate Starts. Races for all other classes will be started in accordance with RRS 26.
- ii. Succeeding classes will be started as follows:
 - a. at 5-minute intervals by displaying a class's flag at the start of the preceding class (classes may not be started in numerical order), or
 - b. at any time afterwards by re-commencing the 5-minute sequence described above. A re-commencement will be preceded by a series of repetitive sounds.
- iii. The PRO will reserve the right to start classes together.
- iv. The starting line will be between a staff displaying an orange flag on the race committee signal boat at the starboard end and the course side of an inflatable mark at the port end.
- v. Boats whose warning signal has not been made shall keep clear of the starting area and of all boats whose warning signal has been made.
- vi. A boat shall not start later than 5 minutes after her starting signal.
- vii. The Race Committee will endeavor to hail sail number/s of boats who are OCS. Failure of the race committee to hail OCS boats, timing of the hail or failure of competitors to hear the hail shall not be grounds for redress.

15. CHANGE OF COURSE AFTER THE START

The new mark will have a black band. When in a subsequent change of course a new mark is replaced, it will be replaced with an original mark, i.e. no black band.

16. THE FINISH

- i. The finish will be between a staff displaying an orange flag on a race committee boat and either a pole displaying an orange flag or an inflatable mark.
- ii. For WL courses with an even number of legs, the finish mark will be located on the starboard side of the signal boat.
- iii. For WL courses with an odd number of legs or a Gold Cup course, the finish mark will be located on the port side of the signal boat.
- iv. The race committee shall signal its intention to run another race by displaying the second substitute pennant at the finish of any race without sound signals.

17. TIME LIMIT

- i. The time limit for the first boat in each class to finish shall be 1 hour and 30 minutes.
- ii. A boat that fails to finish within 15 minutes of the first boat in their class to sail the course and finish shall be scored time limit expired (TLE). See SI 22.iv. Scoring.
- iii. If a boat in last place in a race is delaying the start of another race, the race committee may terminate the race and score that boat in the place she would have finished.

18. SAFETY REQUIREMENTS

- i. All competitors shall wear a U.S. Coast Guard (USCG) or CE approved personal floatation device while on the water, other than for brief periods while adding or removing clothing. Flag Y will not be displayed. This changes Rule 40.
- ii. A towing line not less than 35 feet long or less than 5/16" diameter and a paddle shall be carried by all boats at all times; except, due to practical limitations, A-Cats are excused from carrying a paddle and Foiling Moths and International Canoes are excused from carrying towline and paddle.





19. PROTESTS

- i. A boat intending to protest shall notify the race committee promptly after finishing that race. This changes rule 61.1a.
- ii. Written protests shall be delivered to the protest committee desk in the Clubhouse no later than 1 hour after the race committee signal boat docks. Protest forms are available at the front desk of the yacht club.
- iii. The expiration time for filing written protests and a list of protests in the approximate order in which they will be heard will be posted on the official notice board. Hearings will begin as soon as practicable.

20. ARBITRATION

- i. For protests involving an alleged breach of a rule in Part 2 – When Boats Meet, a short arbitration hearing will be held prior to a protest hearing. This changes Part 5 Section B of the Racing Rules of Sailing.
- ii. After a written protest is filed, one representative from each boat will meet with an arbitrator. No witnesses will be allowed.
- iii. A boat that accepts fault at the arbitration hearing shall receive a penalty of 40% of the number of entries, rounded to the nearest whole number, added to her finish position, except that she shall not be scored worse than DNF.
- iv. The arbitrator is neither the race nor protest committee; therefore, decisions made during arbitration cannot be grounds for redress and cannot be appealed.
- v. The arbitrator will not be a member of the jury that hears the protest but may be permitted to observe testimony presented and offer testimony. This changes rule 63.3 (a).

21. HAUL-OUT RESTRICTIONS

Except with and according to the terms of prior written permission of the Organizing Authority, K6s and International Tempests shall not be hauled for Saturday night. No such restrictions shall apply to other classes.

22. SCORING and PRIZES

- i. The Low Point scoring system of the Racing Rules of Sailing, Appendix A will apply.
- ii. For all classes except Viper 640, the worst score for each boat shall be discarded if 6 or more races are sailed and the worst two scores if 9 or more races are sailed.
- iii. For the Viper 640 class, the worst score for each boat shall be discarded if 6 or more races are sailed.
- iv. A boat scored TLE shall, without a hearing, be scored with points equal to the number of boats in her class that have sailed the course and finished plus two points. See SI 17.ii. This changes rules 35, A4.1, A4.2 and A5.
- v. Prizes will be awarded following the conclusion of racing on Sunday, October 10, for first, second and third place finishers in a class or division.

23. CONDUCT AND RESPONSIBILITY

The skipper/owner shall be responsible for all actions of his or her crew or guests. In the event of a serious breach of conduct, sportsmanship, destruction of property, or failure to comply with the request of any race officer, committee member or agent of the American Yacht Club, the skipper/owner will be held responsible and his/her boat shall be subject to protest and disqualification.

24. NAVIGATION RULES

All boats are cautioned to observe the Navigation Rules of the Road and to yield right of way to vessels restricted in their ability to maneuver, especially to tugs and barges. Any boat observed to impede such traffic may be protested by the race committee.





25. DISCLAIMER OF LIABILITY

As a condition of the participation of any boat in any race or related activity sponsored or undertaken by American Yacht Club, the owner and each crew member agree that the safety of the boat and her crew and the decision whether or not to start or continue to race is solely their responsibility. See Rule 4, Decision to Race. All competitors waive all claims which he or she, or any heir, representative, successor or assignee, may have against American Yacht Club and its officers, trustees, members, committees, employees or agents, arising out of or in any way connected with participation in such race or activity. Patrol boats or other assistance will be available. Assistance, if any, from the race committee or other American Yacht Club vessels, or patrol boats, from any personnel manning them, is at the risk of the participant.

26. OTHER DOCUMENTS

Forms, appendices, scratch sheet and results related to this event are located at <http://yachtscoring.com/emenu.cfm?eID=369>. Competitors should consult the official race committee Notice Board for final information.

27. CONTACT INFORMATION

American Yacht Club	499 Stuyvesant Avenue, Rye, NY 10580
Phone: (914) 967-4800	Fax: (914) 967-5340
Email: aycrc@americanyc.org	Website: www.americanyc.org

American Yacht Club cordially extends the privileges of the Clubhouse and harbor facilities to participants before and after the races.

Principle Race Officers	Glenn Morrison, Sandy Weil
Protest Committee Chairperson	Ronald Richman
Event Chairperson	Carina McCabe

